



T H E
**COFFEE
MACHINE**
C O M P A N Y

INSTALLATION REQUIREMENTS: CLASSE 6 1 GROUP

Width – 480mm or 360mm without drip tray wings but allow an extra 200mm for comfort and accessibility.

Depth – 500mm minimum but deeper is better to allow space to put down a cup.

Height – 490mm but allow 650mm for stacking cups on top.

Counter – This must be level with a 70mm diameter hole cut central to the position of the machine.

Water – Cold 15mm mains supply terminated below counter level with suitable valve (*allow space for water filter*).

Waste – 1 ½ inch trapped waste with standpipe below counter level.

Power – Maximum consumption 1900 watts to be wired into a **13amp** plug. Power source must be easy to access and within **1 metre** of the machine.

Water Filter

Width – 220mm but allow 240mm

Depth – 300mm but allow 320mm

Height – 500mm but allow 520mm

Siting – Should ideally be directly below coffee machine in an accessible position to allow for meter reading and exchanges.

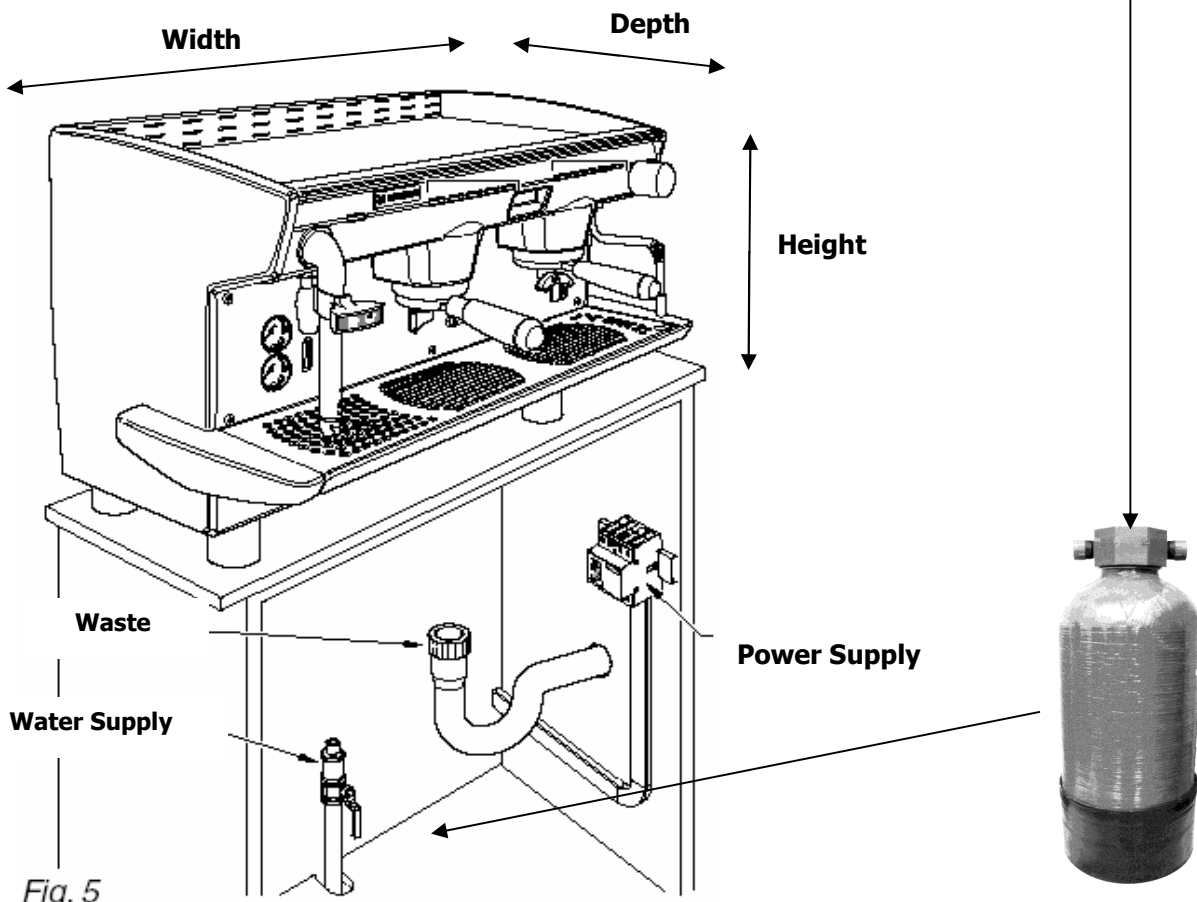


Fig. 5