

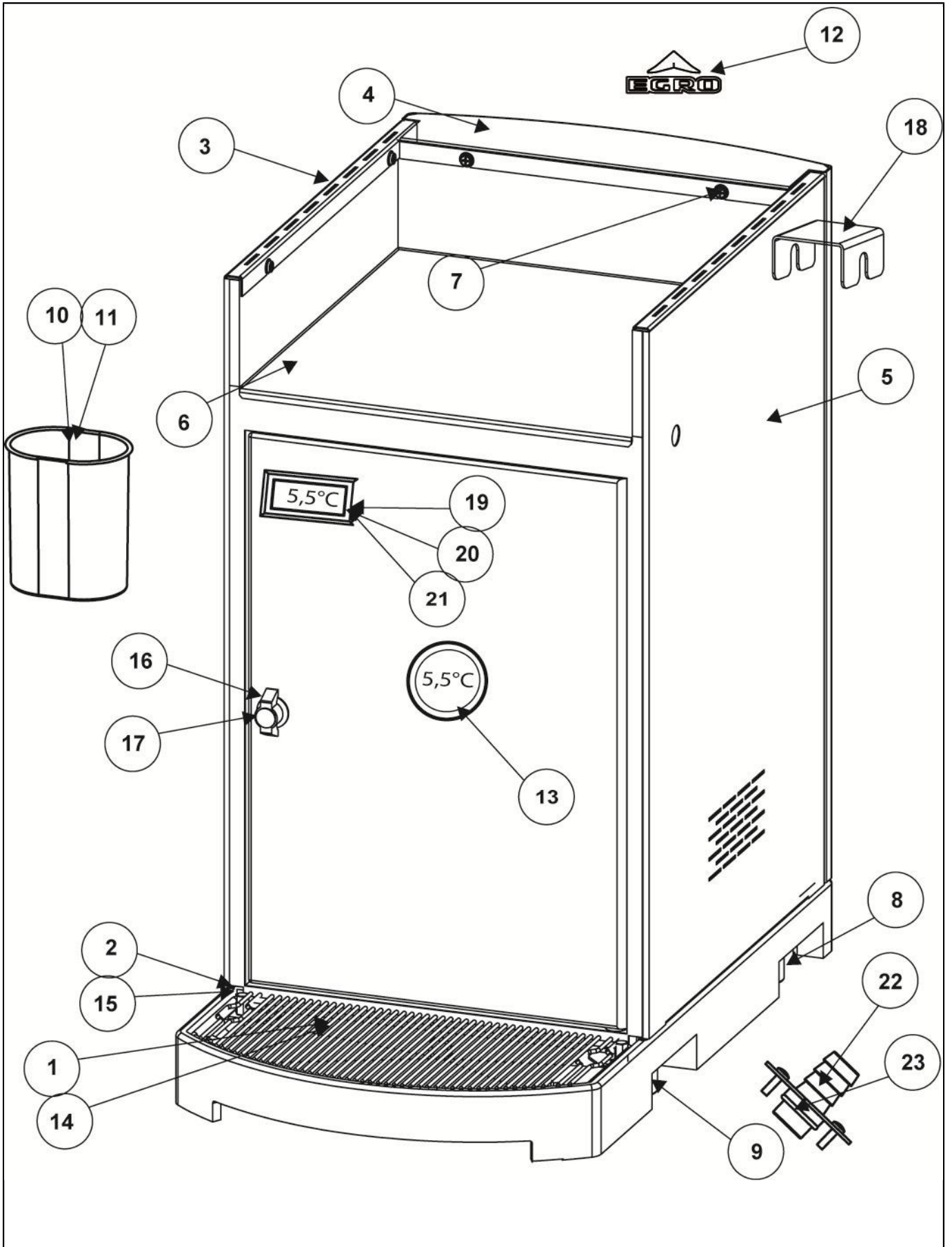


# FRIDGE KS 5 S 50/70

FRIDGE/COOLBOX

## Index

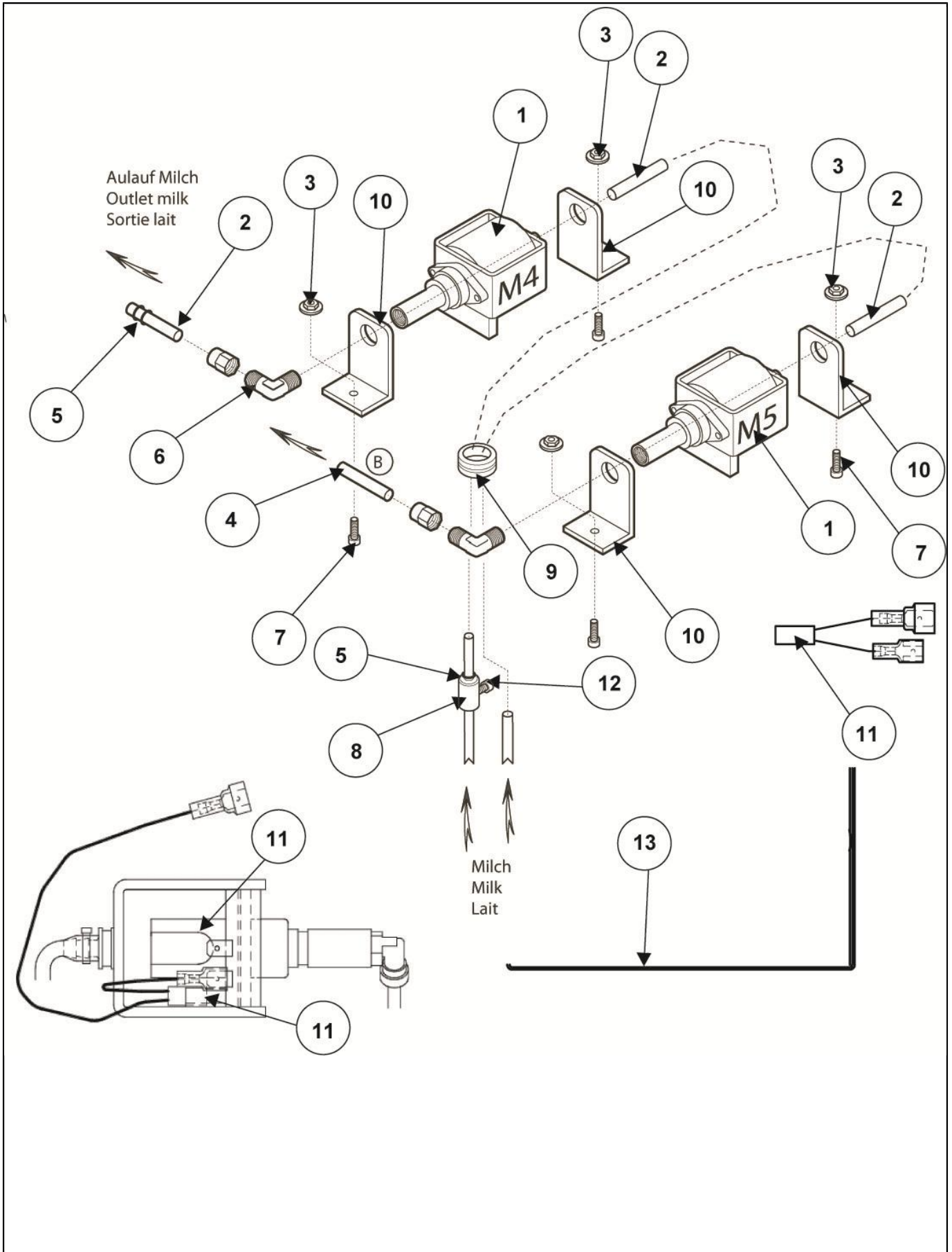
Table K11500_01 - Housing KS 5.....	4
Table K11500_02 - Mechanic KS 5.....	6
Table K60209_01 - Milkpump KS 5.....	8
Table K11507_01 - Milkpump KS 5.....	10
Table K11739_01 - Electrical KS 5.....	12
Alphanumeric index.....	14



POS.	CODE	DESCRIPTION	QTY	START DATE	END DATE	NOTES
1	00054448	Drip grid for drain tray, middle assay.	1			
2	00054649	Spacer pin to Drip grid M 8 x 15 mm	1			
3	00054401	side panel left + right without hole	1			
4	00060082	Rear panel	1			
5	00100127.001	side panel right with hole KS	1			
6	00041568	Cup tray	1			
7	00046806	Y unit D. 12 mm	1			
8	00004015	Sliding foot, aft	1			
9	00004014	Rubber foot, front	1			
10	00057504	Milk container 5 lt.	1			
11	00043991	Milk container with Cover	1			
12	45010209	Egro Logo	1			
13	00049021	Thermometer	1			
14	00041348	Drip-pan	1			
15	00041792	Spacer pin to Drip-pan M 8 x 20 mm	1			
16	00044730	Lock	1			
17	00043996	Key	1			
18	00056843	Connecting metal	1			
19	00049510	Digital LCD Thermometer C	1			
20	00057616	Digital LCD Thermometer F	1			
21	00040730	Battery to LCD Thermome. 1.5V LR44	1			
22	00056544	Service kit to drain connection	1			
23	00040404	O-Ring seal D. 15 x 2 mm	1			

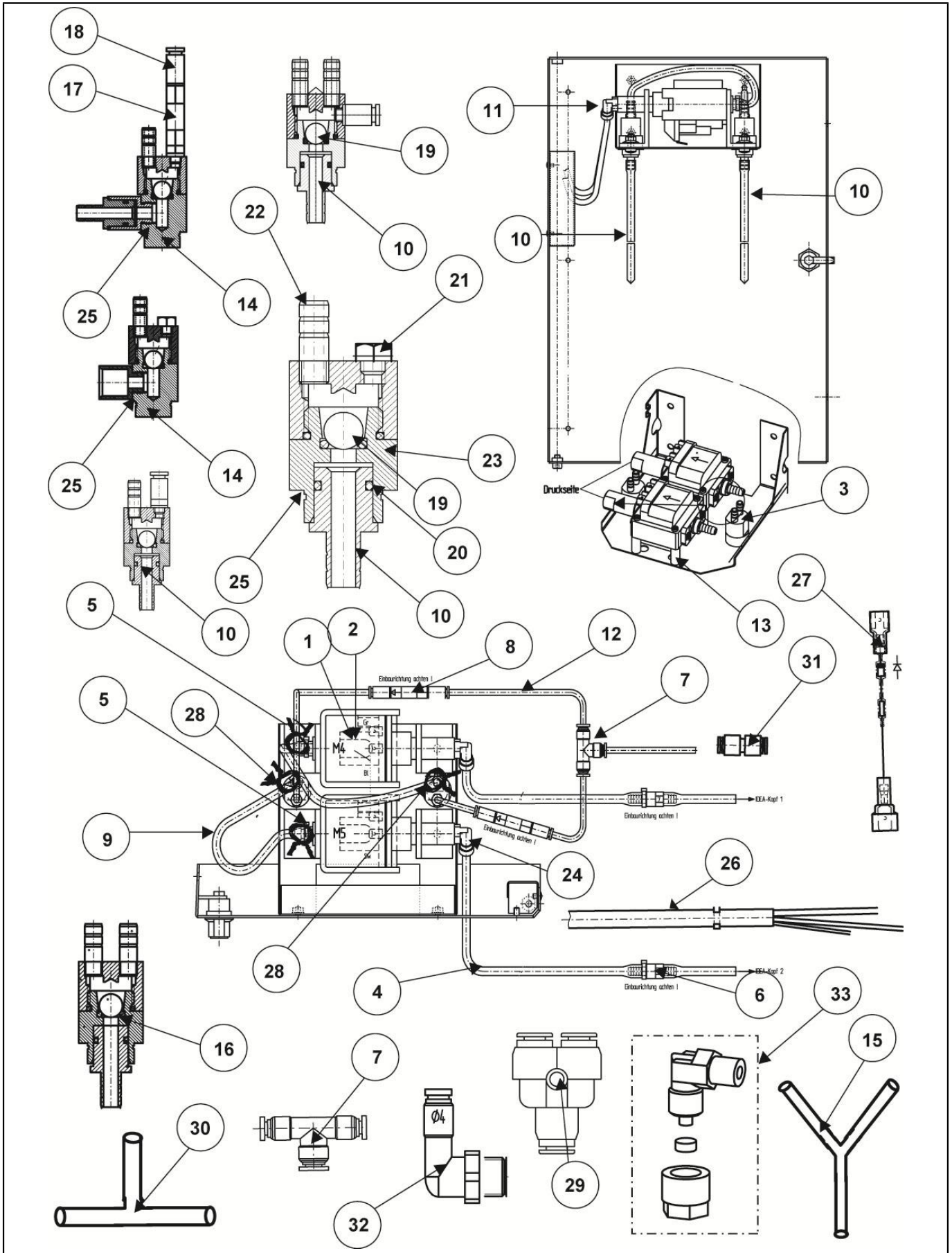


POS.	CODE	DESCRIPTION	QTY	START DATE	END DATE	NOTES
1	00059212	Milk container 6.5 l	1			
	00059212A	MILK CONTAINER 6.5L	1			
2	00100338.001	PIASTRA DIVISORIA	1			
3	00043803	Connection cable CHmodule	1			
	00043804	Connection cable (EU)	1			
	00100259.001	Connection cable USA	1			
	00100951.001	Connection cable AU	1			
	00100951.002	Connection cable CN	1			
	00100951.004	Connection cable GB	1			
	00100951.005	Connection cable JP	1			
	4	00100121.004	Fan Motor 230V 50 Hz	1		
00100121.007		Fan Motor 110V 60 Hz	1			
5	00100121.006	Rocker Switch	1			
6	00100121.001	Lock	1			
	00100121.002	Key	1			
7	00052594	PTC start device	1			
8	00047916	Relay 24V DC	1			
9	00052589	Repair - temperature regulator with 1 sensor	1			
10	45010209	Egro Logo	1			
11	00100121.003	Door seal	1			
12	00059278	Cooling unit (230V 50Hz) KS 6	1			
	00059278	Cooling unit (230V 50Hz) KS 6	1			
	00059280	MACCHINA PER RAFFREDDAMENTO COMPL. (230V 60HZ) KS6	1			
	00059284	MACCHINA PER RAFFREDDAMENTO COMPL. (230V 60HZ) KS6	1			

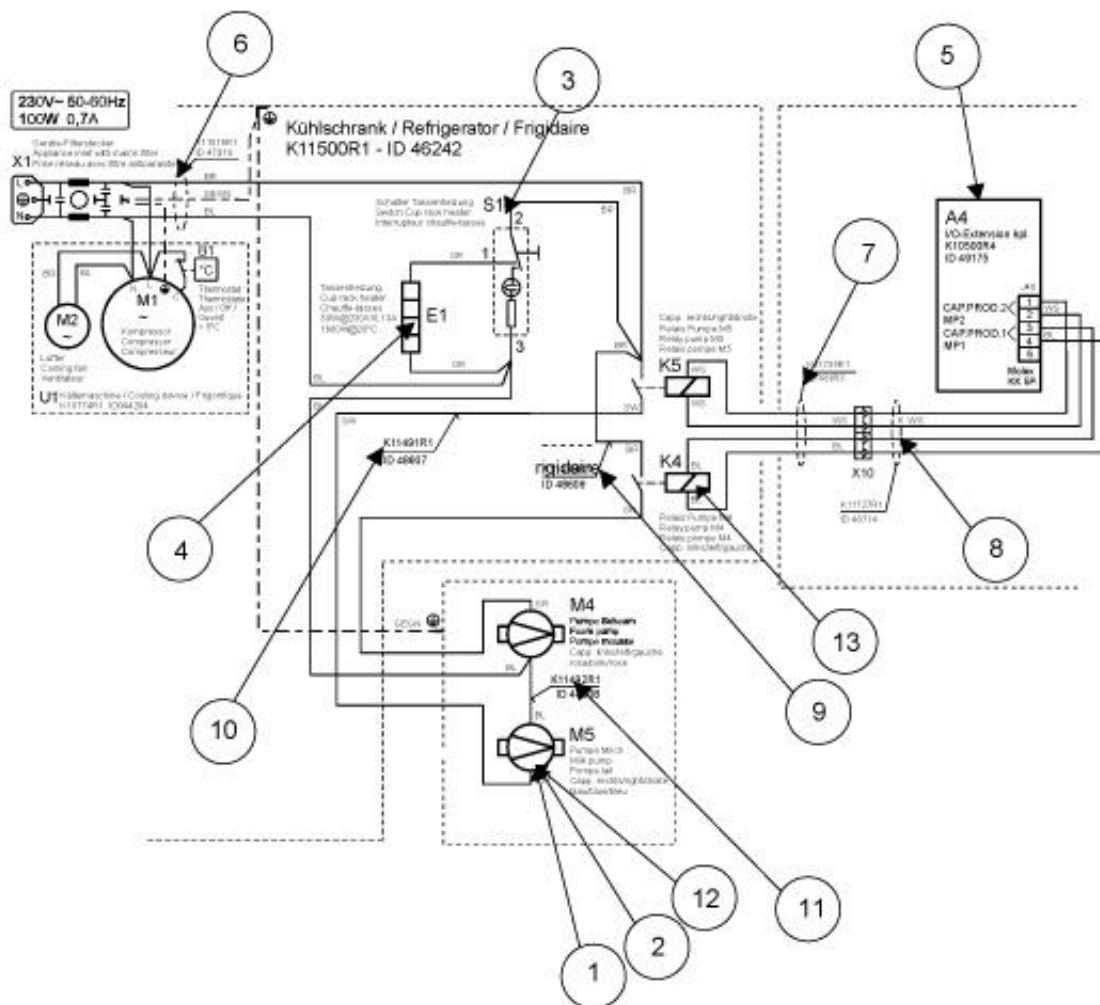




POS.	CODE	DESCRIPTION	QTY	START DATE	END DATE	NOTES
1	00100750.001	Milk pump 230 V 50 / 60 Hz	1			
2	00050010.001	Silicon hose D. 6,0 x 3,0 mm	1			
3	00001521	Keps Nut M5	1			
4	00049209	Silicon hose D. 7,0 x 3,0 mm	1			
5	00002197	O-Ring seal black D. 5,28 x 1,78 mm	1			
6	00043972	Threaded male elbow D. 6 mm x G 1/8	1			
7	00029575	Raised cheese head Screw M5 x 14 mm	1			
8	00048486	Sleeve with screw	1			
9	00030060	Cable bushing, soft 12 mm	1			
10	00043701	Pump bracket	1			
11	00054228	Excess temperature swicht to Ceme pump	1			
12	00018846	Hex socket head Screw M5 x 8 mm	1			
13	00041552	Pump Support	1			



POS.	CODE	DESCRIPTION	QTY	START DATE	END DATE	NOTES
1	34011032	Milk pump (Gotec ETSG 21) 230 V/50-60 HZ STANDARD	1			
2	00101163.001	MILK FRIDGE PUMP 230/50-60HZ HIGH FLOW	1			
3	00049015	Distributing block assay. KS	1			
4	00060162	Silicon hose blue (KB) 50shore D. 7,0 x 4,0 mm	1			
5	39930008	CLAMP WITHOUT E 7 SCREW	1			
6	00100213.001	Flow limiter setD. 0,4-1,2mm	1			
7	00054346	T - Connector D. 4 mm	1			
8	00048820	Non-return valve M5	1			
9	00049037	Silicon hose pink D. 6,0 x 3,0 mm	1			
10	00043884	Clutch nipple	1			
11	00043972	Threaded male elbow D. 6 mm x G 1/8	1			
12	38228071	Teflon hose FEP D. 4 x 2 mm	1			
13	00055633	Swing bodies for Gotekpumpe	1			
14	00049075	Distributing block assay. KB	1			
15	00055748	Y unit D. 6 mm	1			
16	00100371.001	Distributing piece (7-11)	1			
17	00048820	Non-return valve M5	1			
18	00100046.002	Threaded male nipple D. 4 x M5	1			
19	00054943	Ball 8.0mm with 2 O-Rings	1			
20	00100038.001	O-Ring seal D. 8,73 x 1,78mm	1			
21	00054559	Threaded stopper M5 with O-Ring	1			
22	00043869	Hose nipple	1			
23	00049015	Distributing block assay. KS	1			
24	00053392		1			
25	00100186.016	Circlip	1			
26	00003230	Insulationg Tube D. 16 mm	1			
27	00054678	Diode kompl. to Gotec milk pump	1			
28	39930001	CLAMP WITHOUT E 1 SCREW	1			
29	00054344	Y-Connection D. 4 mm	1			
30	00049643	Reducing T connectorD. 6 mm	1			
31	00055748	Y unit D. 6 mm	1			
32	00053753	Threaded elbow, male D. 4 mm x G1/8	1			
33	00043972	Threaded male elbow D. 6 mm x G 1/8	1			



POS.	CODE	DESCRIPTION	QTY	START DATE	END DATE	NOTES
1	00100750.001	Milk pump 230 V 50 / 60 Hz	1			
2	34011032	Milk pump (Gotec ETSG 21) 230 V/50-60 HZ STANDARD	1			
3	00043997	Rocker Switch, yellow	1			
4	00048605	Cup tray Heating	1			
5	00049058	I / O Print R1	1			
6	00047918	Cable harness KS 230 V	1			
7	00048853	Cable harness X10B - K4 - K5	1			
8	00048714	Cable harness J46 - X 10A	1			
9	00048606	Connection cable K5 - K5	1			
10	00048607	Connection cable K5 - M5	1			
11	00048608	Wire M4 M5	1			
12	00054678	Diode kompl. to Gotec milk pump	1			
13	00047916	Relay 24V DC	1			

Code	No. table	Pos.
00001521	K60209_01	3
00002197	K60209_01	5
00003230	K11507_01	26
00004014	K11500_01	9
00004015	K11500_01	8
00018846	K60209_01	12
00029575	K60209_01	7
00030060	K60209_01	9
00040404	K11500_01	23
00040730	K11500_01	21
00041348	K11500_01	14
00041552	K60209_01	13
00041568	K11500_01	6
00041792	K11500_01	15
00043701	K60209_01	10
00043803	K11500_02	3
00043804	K11500_02	3
00043869	K11507_01	22
00043884	K11507_01	10
00043972	K11507_01	11
00043972	K11507_01	33
00043972	K60209_01	6
00043991	K11500_01	11
00043996	K11500_01	17
00043997	K11739_01	3
00044730	K11500_01	16
00046806	K11500_01	7
00047916	K11500_02	8
00047916	K11739_01	13
00047918	K11739_01	6
00048486	K60209_01	8
00048605	K11739_01	4
00048606	K11739_01	9
00048607	K11739_01	10
00048608	K11739_01	11
00048714	K11739_01	8
00048820	K11507_01	17
00048820	K11507_01	8
00048853	K11739_01	7
00049015	K11507_01	23
00049015	K11507_01	3
00049021	K11500_01	13
00049037	K11507_01	9
00049058	K11739_01	5
00049075	K11507_01	14
00049209	K60209_01	4
00049510	K11500_01	19
00049643	K11507_01	30
00050010.001	K60209_01	2
00052589	K11500_02	9
00052594	K11500_02	7
00053392	K11507_01	24
00053753	K11507_01	32
00054228	K60209_01	11
00054344	K11507_01	29
00054346	K11507_01	7
00054401	K11500_01	3
00054448	K11500_01	1
00054559	K11507_01	21
00054649	K11500_01	2
00054678	K11507_01	27
00054678	K11739_01	12
00054943	K11507_01	19
00055633	K11507_01	13
00055748	K11507_01	15
00055748	K11507_01	31
00056544	K11500_01	22

Code	No. table	Pos.
00056843	K11500_01	18
00057504	K11500_01	10
00057616	K11500_01	20
00059212	K11500_02	1
00059212A	K11500_02	1
00059278	K11500_02	12
00059278	K11500_02	12
00059280	K11500_02	12
00059284	K11500_02	12
00060082	K11500_01	4
00060162	K11507_01	4
00100038.001	K11507_01	20
00100046.002	K11507_01	18
00100121.001	K11500_02	6
00100121.002	K11500_02	6
00100121.003	K11500_02	11
00100121.004	K11500_02	4
00100121.006	K11500_02	5
00100121.007	K11500_02	4
00100127.001	K11500_01	5
00100186.016	K11507_01	25
00100213.001	K11507_01	6
00100259.001	K11500_02	3
00100338.001	K11500_02	2
00100371.001	K11507_01	16
00100750.001	K11739_01	1
00100750.001	K60209_01	1
00100951.001	K11500_02	3
00100951.002	K11500_02	3
00100951.004	K11500_02	3
00100951.005	K11500_02	3
00101163.001	K11507_01	2
34011032	K11507_01	1
34011032	K11739_01	2
38228071	K11507_01	12
39930001	K11507_01	28
39930008	K11507_01	5
45010209	K11500_01	12
45010209	K11500_02	10



## Contacts

---

### HEADQUARTERS, PRODUCTION PLANT AND R&D CENTERS

**Rancilio Group s.p.a.**  
Viale della Repubblica 40  
20010 Villastanza di Parabiago  
Milano Italy  
Tel +39 0331 408200  
Fax +39 0331 551437  
www.ranciliogroup.com  
info@ranciliogroup.com

**Egro Suisse AG**  
Bahnhofstrasse 66  
5605 Dottikon, Switzerland  
Tel. +41 (0)56 616 95 95  
Fax +41 (0)56 616 95 97  
www.egrocoffee.com  
info@egrocoffee.com

---

### WORLDWIDE BRANCH LOCATIONS

**SPAIN**  
RancilioGroup Espana, s.a.  
Gran Via de Carlos III, 84 3ª  
Edificio Trade  
08028 Barcelona Spain  
Ph. +34 902 884 275  
Ph. +34 934 923 414  
Fax +34 93 496 57 01  
www.ranciliogroup.com  
info-es@ranciliogroup.com

**SWITZERLAND**  
Egro Suisse AG  
Bahnhofstrasse 66  
5605 Dottikon, Switzerland  
Tel. +41 (0)56 616 95 95  
Fax +41 (0)56 616 95 97  
www.egrosuisse.ch  
info@egrosuisse.ch

**PORTUGAL**  
Rancilio Group Portugal Lda  
Estrada da Falagueira nº 68 E  
2700-365 Amadora-Lisboa Portugal  
Ph. + 351 21 019 10 91  
Fax + 351 21 019 10 91  
www.ranciliogroup.com  
info-pt@ranciliogroup.com

**GERMANY**  
Rancilio Group Deutschland GmbH  
Talstrasse 27  
D-97990 Weikersheim  
Ph. +49 7934 99 29 30  
Fax +49 7934 99 29 330  
www.egro-deutschland.de  
info-de@ranciliogroup.com

**USA/CANADA**  
RancilioGroup North America Inc.  
1340 Internationale Parway / Suite 200  
Woodridge, IL 60517 USA  
Ph: +1 630 914-7900  
Fax: +1 630 914 7901  
Toll Free: +1 877 726 2454  
www.ranciliogroup.com  
info@ranciliogroupna.com

---

### SALES REPRESENTATIVE OFFICE

**ASIA**  
Asian Market Access HK Ltd  
601 Tak Woo House  
17-19 D'aguilar Street Central  
Hong Kong  
Ph. +852 2521 7839  
Fax +852 2521 5787  
www.ranciliogroup.com



