

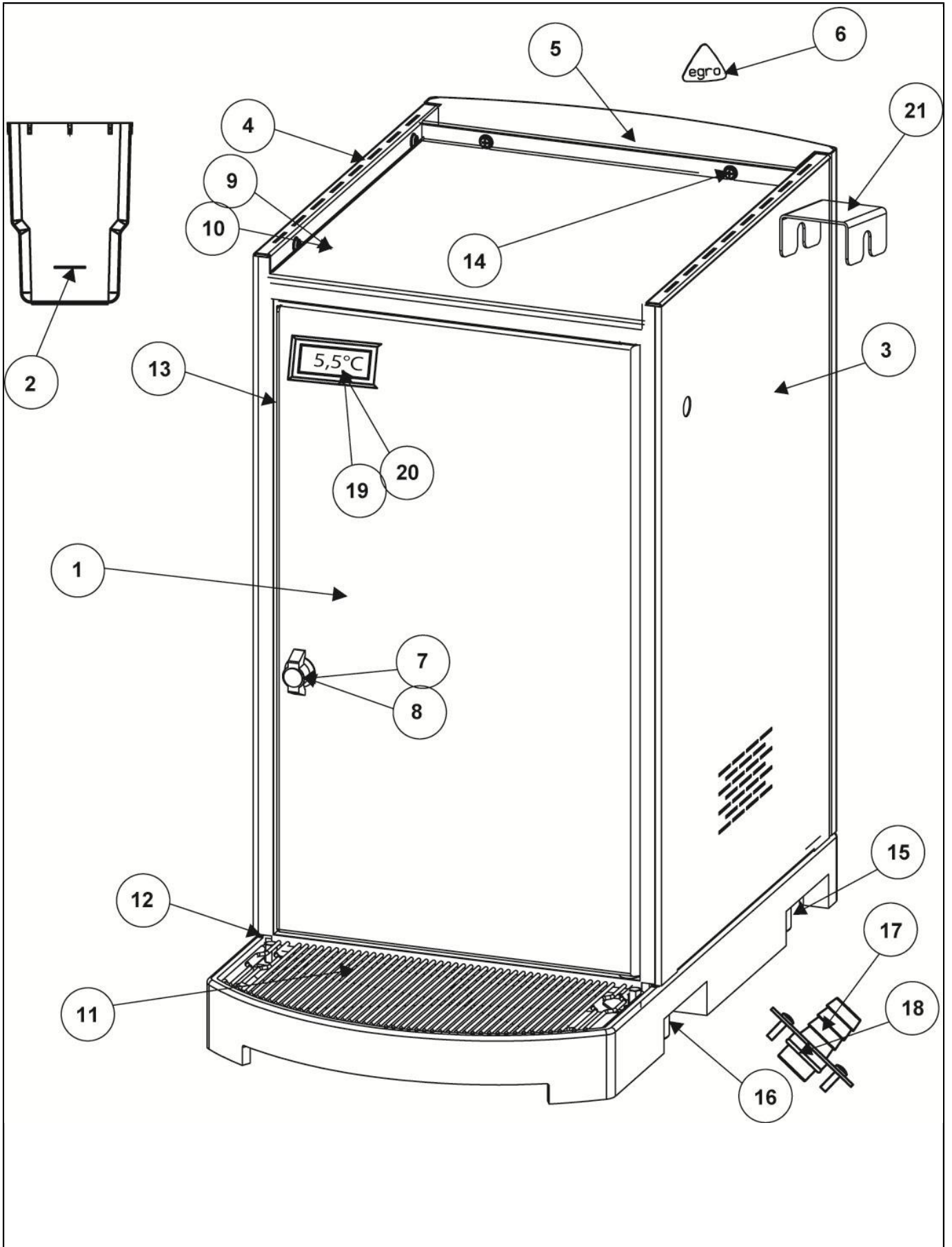


FRIDGE KS 6 S 50/70

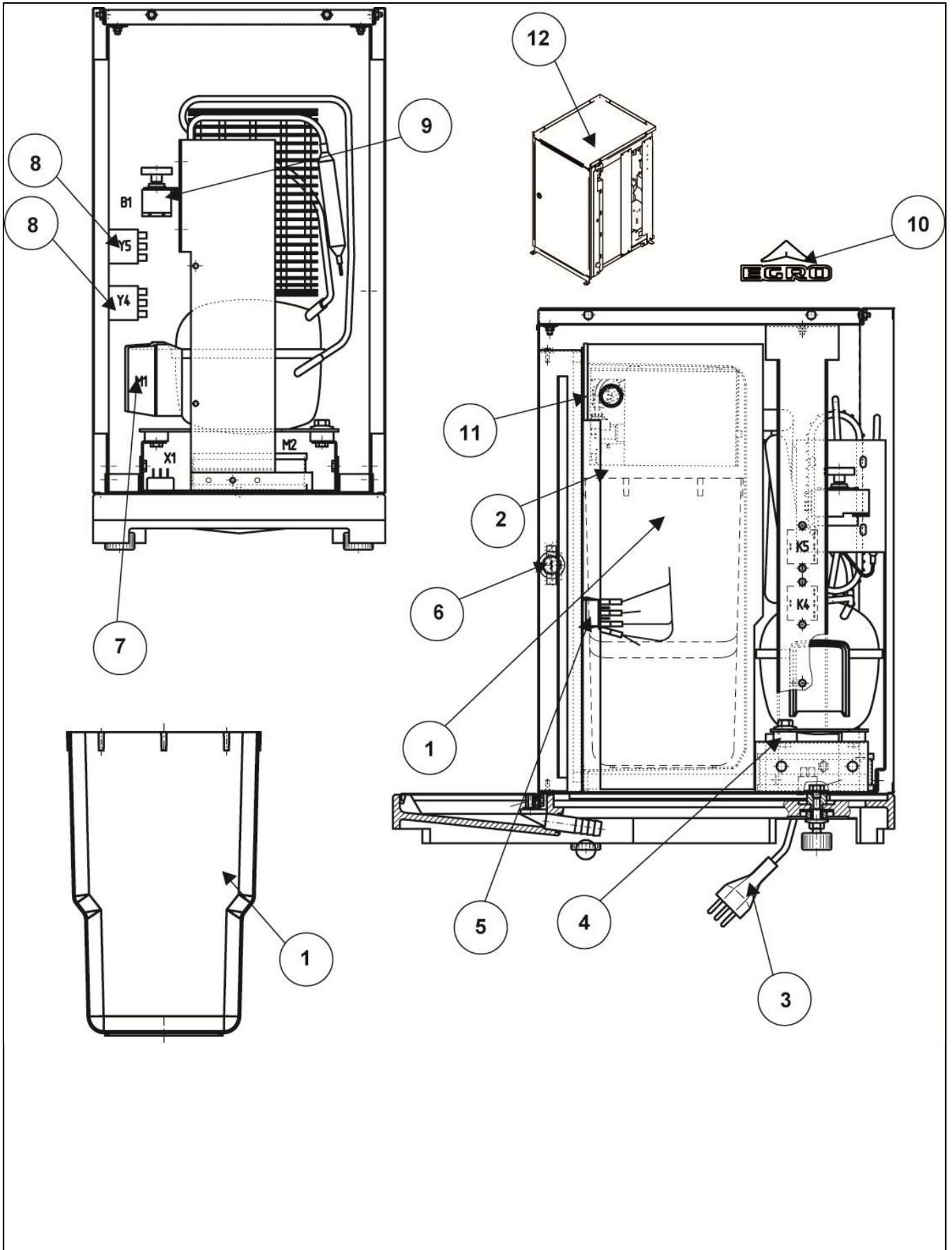
FRIDGE/COOLBOX

Index

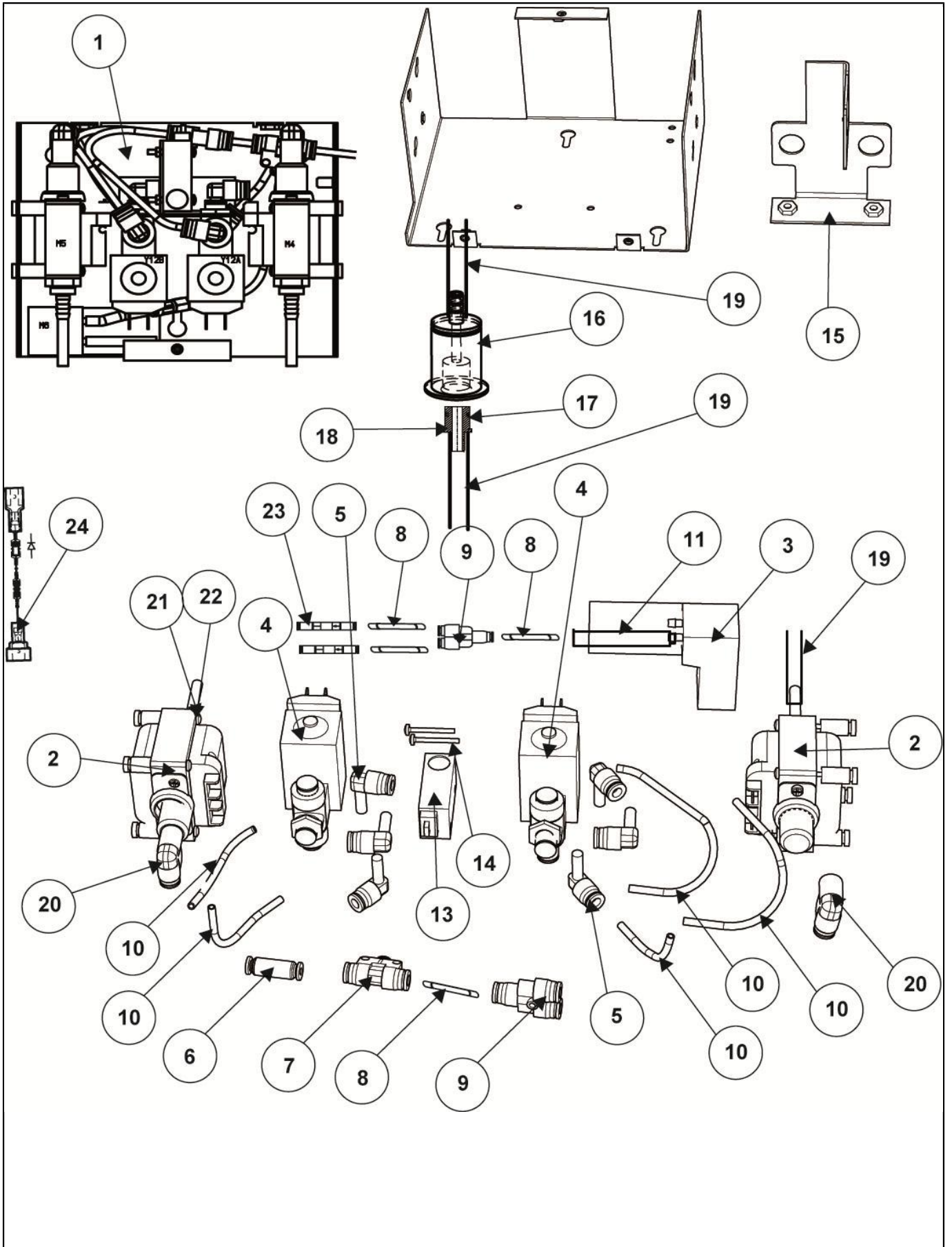
Table K11500_04 - Housing KS 6.....	4
Table K11500_02 - Mechanic KS 6.....	6
Table K15006_03 - Milkpump unit.....	8
Alphanumeric index.....	10



POS.	CODE	DESCRIPTION	QTY	START DATE	END DATE	NOTES
1	00100021.050		1			
	00100021.060		1			
	00100021.100		1			
	00100021.120		1			
	00100021.200		1			
	00100021.300		1			
2	00059212A	MILK CONTAINER 6.5L	1			
3	00100127.001	side panel right with hole KS	1			
4	00054401	side panel left + right without hole	1			
5	00060082	Rear panel	1			
6	45010209	Egro Logo	1			
7	00100121.001	Lock	1			
8	00100121.002	Key	1			
9	00041568	Cup tray	1			
10	00100346.001	Cup tray with Heater	1			
11	00054448	Drip grid for drain tray, middle assay.	1			
12	00054649	Spacer pin to Drip grid M 8 x 15 mm	1			
13	00044182	Door seal	1			
14	00046844	ScrewM4 x 8 mm	1			
15	00004015	Sliding foot, aft	1			
16	00004016	Rubber buffer D. 8 x 1,6 mm	1			
17	00056544	Service kit to drain connection	1			
18	00040404	O-Ring seal D. 15 x 2 mm	1			
19	00049510	Digital LCD Thermometer C	1			
20	00040730	Battery to LCD Thermome. 1.5V LR44	1			
21	00056843	Connecting metal	1			



POS.	CODE	DESCRIPTION	QTY	START DATE	END DATE	NOTES
1	00059212	Milk container 6.5 l	1			
	00059212A	MILK CONTAINER 6.5L	1			
2	00100338.001	PIASTRA DIVISORIA	1			
3	00043803	Connection cable CHmodule	1			
	00043804	Connection cable (EU)	1			
	00100259.001	Connection cable USA	1			
	00100951.001	Connection cable AU	1			
	00100951.002	Connection cable CN	1			
	00100951.004	Connection cable GB	1			
	00100951.005	Connection cable JP	1			
	4	00100121.004	Fan Motor 230V 50 Hz	1		
00100121.007		Fan Motor 110V 60 Hz	1			
5	00100121.006	Rocker Switch	1			
6	00100121.001	Lock	1			
	00100121.002	Key	1			
7	00052594	PTC start device	1			
8	00047916	Relay 24V DC	1			
9	00052589	Repair - temperature regulator with 1 sensor	1			
10	45010209	Egro Logo	1			
11	00100121.003	Door seal	1			
12	00059278	Cooling unit (230V 50Hz) KS 6	1			
	00059278	Cooling unit (230V 50Hz) KS 6	1			
	00059280	MACCHINA PER RAFFREDDAMENTO COMPL. (230V 60HZ) KS6	1			
	00059284	MACCHINA PER RAFFREDDAMENTO COMPL. (230V 60HZ) KS6	1			



POS.	CODE	DESCRIPTION	QTY	START DATE	END DATE	NOTES
1	00100452.001		1			
	00101044.001	Milk pump unit KS 7 1 pump STANDARD	1			
	00101045.001	Milk pump unit KS7 2 pump 230v 50/60HZ LOW FLOW	1			
	00101046.002	Milk pump unit KS 7 60 Hz (7-11) HIGH FLOW 2pumps	1			
2	00101163.001	MILK FRIDGE PUMP 230/50-60HZ HIGH FLOW	1			
	34011032	Milk pump (Gotec ETSG 21) 230 V/50-60 HZ STANDARD	1			
3	00100743.001	Air pump	1			
4	00059209	2 Way Valve (Magma) 8W 24VDC	1			
5	00060076	Plug in elbow connection D. 6 mm	1			
6	00054996	Coupling unit D. 4 mm	1			
7	00060077	T - Connector D. 6 mm	1			
8	00055974	Double plug-in nipple D. 4 mm	1			
9	00054344	Y-Connection D. 4 mm	1			
10	38228072	Teflon hose FOP D. 4,0 x 2,5 mm	1			
11	00050010.001	Silicon hose D. 6,0 x 3,0 mm	1			
13	00060131	Ultrasonic detector	1			
14	00055594	Raised cheese head ScrewM3 x 25 mm	1			
15	00100428.001	LAMIERA DI FISSAGGIO	1			
16	00100427.001	Tube cupling	1			
17	00100338.001	PIASTRA DIVISORIA	1			
18	00043884	Clutch nipple	1			
19	00049209	Silicon hose D. 7,0 x 3,0 mm	1			
20	00059249	Threaded elbow, male D. 4 x G1/8	1			
21	00055594	Raised cheese head ScrewM3 x 25 mm	1			
22	00030494	Lock WasherM3	1			
23	00048820	Non-return valve M5	1			
24	00054678	Diode kompl. to Gotec milk pump	1			

Code	No. table	Pos.
00004015	K11500_04	15
00004016	K11500_04	16
00030494	K15006_03	22
00040404	K11500_04	18
00040730	K11500_04	20
00041568	K11500_04	9
00043803	K11500_02	3
00043804	K11500_02	3
00043884	K15006_03	18
00044182	K11500_04	13
00046844	K11500_04	14
00047916	K11500_02	8
00048820	K15006_03	23
00049209	K15006_03	19
00049510	K11500_04	19
00050010.001	K15006_03	11
00052589	K11500_02	9
00052594	K11500_02	7
00054344	K15006_03	9
00054401	K11500_04	4
00054448	K11500_04	11
00054649	K11500_04	12
00054678	K15006_03	24
00054996	K15006_03	6
00055594	K15006_03	14
00055594	K15006_03	21
00055974	K15006_03	8
00056544	K11500_04	17
00056843	K11500_04	21
00059209	K15006_03	4
00059212	K11500_02	1
00059212A	K11500_02	1
00059212A	K11500_04	2
00059249	K15006_03	20
00059278	K11500_02	12
00059278	K11500_02	12
00059280	K11500_02	12
00059284	K11500_02	12
00060076	K15006_03	5
00060077	K15006_03	7
00060082	K11500_04	5
00060131	K15006_03	13
00100021.050	K11500_04	1
00100021.060	K11500_04	1
00100021.100	K11500_04	1
00100021.120	K11500_04	1
00100021.200	K11500_04	1
00100021.300	K11500_04	1
00100121.001	K11500_02	6
00100121.001	K11500_04	7
00100121.002	K11500_02	6
00100121.002	K11500_04	8
00100121.003	K11500_02	11
00100121.004	K11500_02	4
00100121.006	K11500_02	5
00100121.007	K11500_02	4
00100127.001	K11500_04	3
00100259.001	K11500_02	3
00100338.001	K11500_02	2
00100338.001	K15006_03	17
00100346.001	K11500_04	10
00100427.001	K15006_03	16
00100428.001	K15006_03	15
00100452.001	K15006_03	1
00100743.001	K15006_03	3
00100951.001	K11500_02	3
00100951.002	K11500_02	3

Code	No. table	Pos.
00100951.004	K11500_02	3
00100951.005	K11500_02	3
00101044.001	K15006_03	1
00101045.001	K15006_03	1
00101046.002	K15006_03	1
00101163.001	K15006_03	2
34011032	K15006_03	2
38228072	K15006_03	10
45010209	K11500_02	10
45010209	K11500_04	6

Contacts

HEADQUARTERS, PRODUCTION PLANT AND R&D CENTERS

Rancilio Group s.p.a.
Viale della Repubblica 40
20010 Villastanza di Parabiago
Milano Italy
Tel +39 0331 408200
Fax +39 0331 551437
www.ranciliogroup.com
info@ranciliogroup.com

Egro Suisse AG
Bahnhofstrasse 66
5605 Dottikon, Switzerland
Tel. +41 (0)56 616 95 95
Fax +41 (0)56 616 95 97
www.egrocoffee.com
info@egrocoffee.com

WORLDWIDE BRANCH LOCATIONS

SPAIN
RancilioGroup Espana, s.a.
Gran Via de Carlos III, 84 3ª
Edificio Trade
08028 Barcelona Spain
Ph. +34 902 884 275
Ph. +34 934 923 414
Fax +34 93 496 57 01
www.ranciliogroup.com
info-es@ranciliogroup.com

SWITZERLAND
Egro Suisse AG
Bahnhofstrasse 66
5605 Dottikon, Switzerland
Tel. +41 (0)56 616 95 95
Fax +41 (0)56 616 95 97
www.egrosuisse.ch
info@egrosuisse.ch

PORTUGAL
Rancilio Group Portugal Lda
Estrada da Falagueira nº 68 E
2700-365 Amadora-Lisboa Portugal
Ph. + 351 21 019 10 91
Fax + 351 21 019 10 91
www.ranciliogroup.com
info-pt@ranciliogroup.com

GERMANY
Rancilio Group Deutschland GmbH
Talstrasse 27
D-97990 Weikersheim
Ph. +49 7934 99 29 30
Fax +49 7934 99 29 330
www.egro-deutschland.de
info-de@ranciliogroup.com

USA/CANADA
RancilioGroup North America Inc.
1340 Internationale Parway / Suite 200
Woodridge, IL 60517 USA
Ph: +1 630 914-7900
Fax: +1 630 914 7901
Toll Free: +1 877 726 2454
www.ranciliogroup.com
info@ranciliogroupna.com

SALES REPRESENTATIVE OFFICE

ASIA
Asian Market Access HK Ltd
601 Tak Woo House
17-19 D'aguilar Street Central
Hong Kong
Ph. +852 2521 7839
Fax +852 2521 5787
www.ranciliogroup.com

