

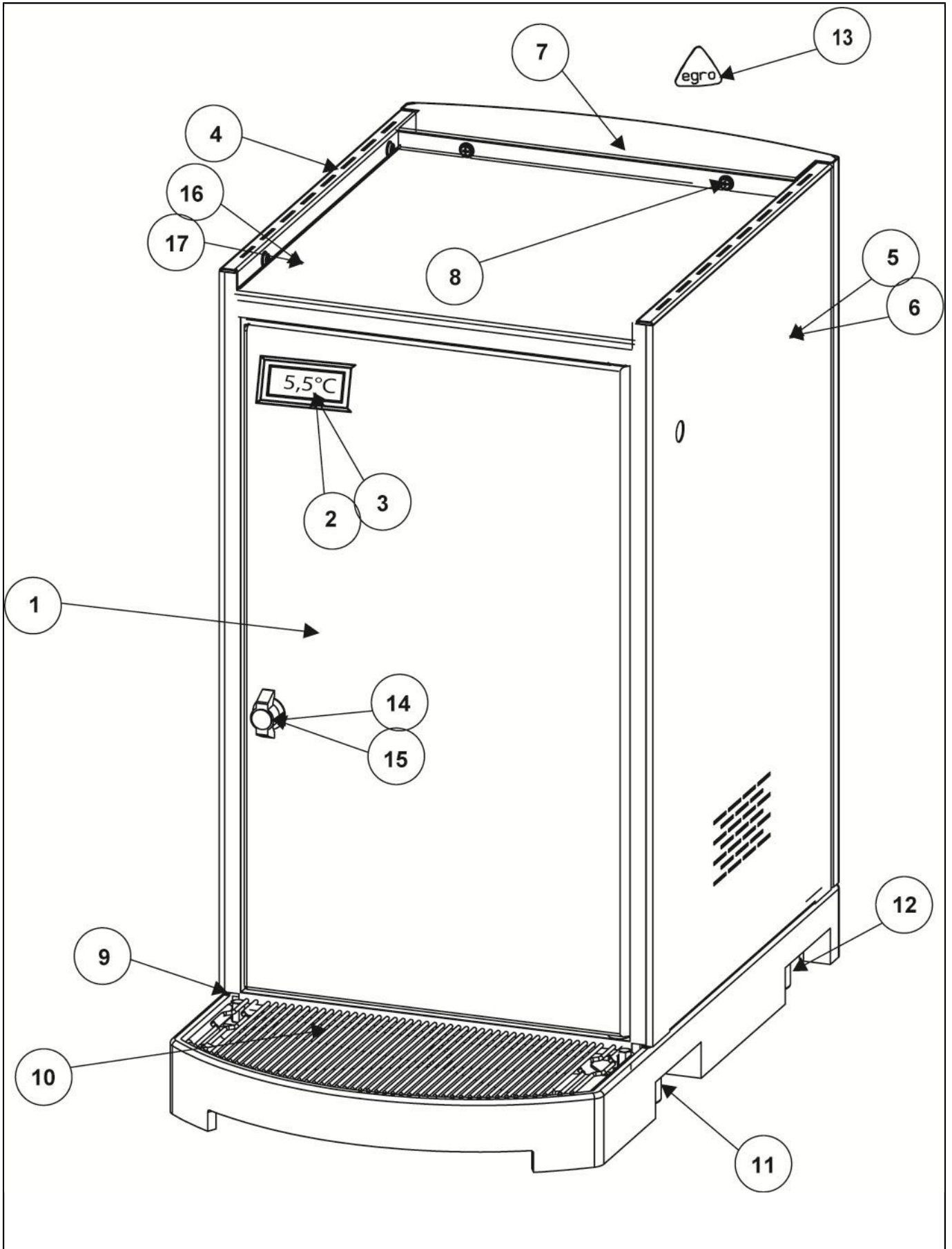


FRIDGE KS 7 S 50 / 70

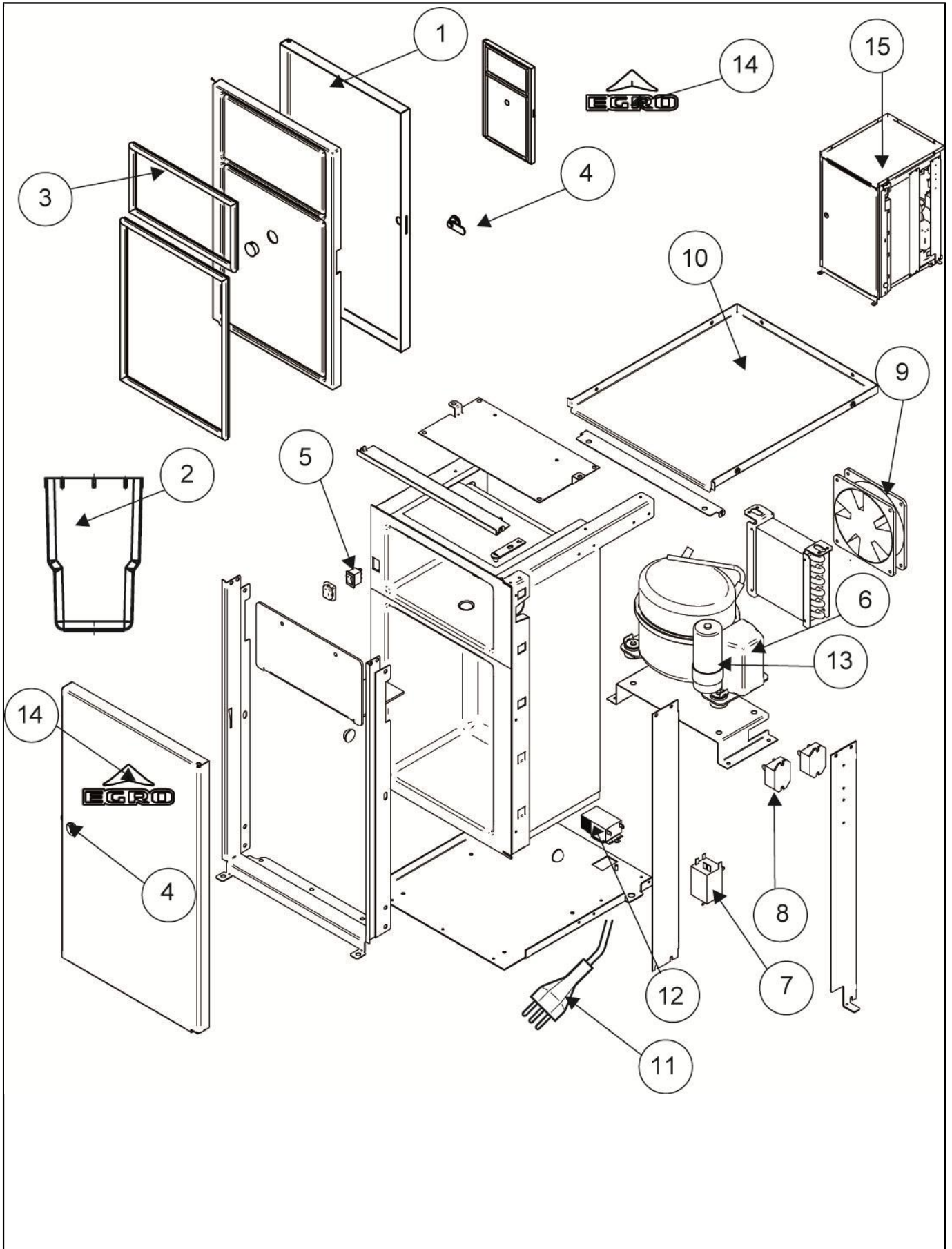
FRIDGE/COOLBOX

Index

| | |
|--|----|
| Table K11501_01 - Housing KS 7..... | 4 |
| Table A11501_02 - Mecanic KS 7..... | 6 |
| Table K15006_03 - Milkpump unit KS 7..... | 8 |
| Table K13305_01 - Electrical with MLR..... | 10 |
| Alphanumeric index..... | 12 |

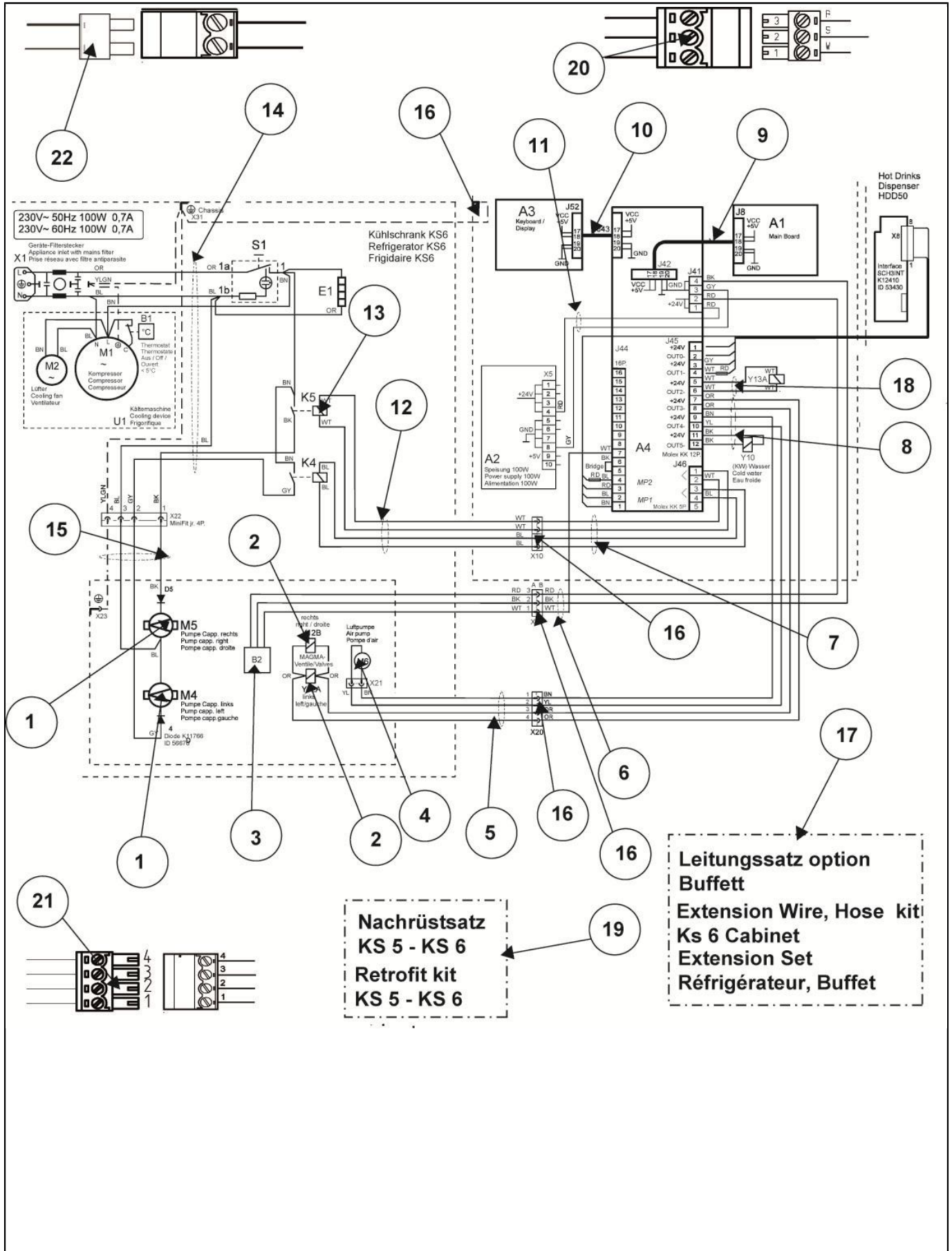


| POS. | CODE | DESCRIPTION | QTY | START DATE | END DATE | NOTES |
|------|--------------|---|-----|------------|----------|-------|
| 1 | 00100381.001 | | 1 | | | |
| | 00100381.005 | | 1 | | | |
| | 00100381.010 | | 1 | | | |
| | 00100381.020 | | 1 | | | |
| | 00100381.025 | | 1 | | | |
| 2 | 00049510 | Digital LCD Thermometer C | 1 | | | |
| 3 | 00040730 | Battery to LCD Thermome. 1.5V LR44 | 1 | | | |
| 4 | 00054401 | side panel left + right without hole | 1 | | | |
| 5 | 00100127.001 | side panel right with hole KS | 1 | | | |
| 6 | 36901951 | SIDE PANEL HOLES CAP ONE | 1 | | | |
| 7 | 00060082 | Rear panel | 1 | | | |
| 9 | 00046844 | ScrewM4 x 8 mm | 1 | | | |
| 10 | 00054448 | Drip grid for drain tray, middle assay. | 1 | | | |
| 11 | 00004014 | Rubber foot, front | 1 | | | |
| 12 | 00004015 | Sliding foot, aft | 1 | | | |
| 13 | 45010209 | Egro Logo | 1 | | | |
| 14 | 00100529.001 | Key standard (KS 6 + 7) | 1 | | | |
| 15 | 00100530.001 | Key fold-away | 1 | | | |
| 16 | 00100540.001 | Cup tray | 1 | | | |
| 17 | 00100547.001 | Cup tray with Heater | 1 | | | |



| POS. | CODE | DESCRIPTION | QTY | START DATE | END DATE | NOTES |
|------|--------------|------------------------------------|-----|------------|----------|-------|
| 1 | 00100549.001 | Doore assay. with temp. Gauge | 1 | | | |
| | 00101039.001 | Doore assy. with handle + Lock | 1 | | | |
| 2 | 00057504 | Milk container 5 lt. | 1 | | | |
| | 00059212 | Milk container 6.5 l | 1 | | | |
| | 00059212A | MILK CONTAINER 6.5L | 1 | | | |
| 3 | 00100531.001 | Door seal uper | 1 | | | |
| | 00100532.001 | Door seal lower | 1 | | | |
| 4 | 00100529.001 | Key standard (KS 6 + 7) | 1 | | | |
| | 00100530.001 | Key fold-away | 1 | | | |
| 5 | 00100542.001 | Cover | 1 | | | |
| | 00100543.001 | Switch Cover | 1 | | | |
| 6 | 00100546.001 | Cover | 1 | | | |
| 7 | 00100539.001 | Temperature regulator | 1 | | | |
| 8 | 00047916 | Relay 24V DC | 1 | | | |
| 9 | 00100533.001 | Fan Motor 220-240V 50-60Hz | 1 | | | |
| | 00100534.001 | Fan Motor 115V 60 Hz (USA) | 1 | | | |
| 10 | 00100540.001 | Cup tray | 1 | | | |
| | 00100547.001 | Cup tray with Heater | 1 | | | |
| 11 | 00043803 | Connection cable CHmodule | 1 | | | |
| | 00043804 | Connection cable (EU) | 1 | | | |
| | 00100259.001 | Connection cable USA | 1 | | | |
| | 00100951.001 | Connection cable AU | 1 | | | |
| | 00100951.002 | Connection cable CN | 1 | | | |
| | 00100951.004 | Connection cable GB | 1 | | | |
| | 00100951.005 | Connection cable JP | 1 | | | |
| 12 | 00100537.001 | Starter relais 220-240V 50-60Hz | 1 | | | |
| | 00100538.001 | Starter relais 115V 60 Hz (USA) | 1 | | | |
| 13 | 00100537.001 | Starter relais 220-240V 50-60Hz | 1 | | | |
| | 00100538.001 | Starter relais 115V 60 Hz (USA) | 1 | | | |
| 14 | 45010209 | Egro Logo | 1 | | | |
| 15 | 00100382.101 | Cooling unit 220-240V/50 Hz | 1 | | | |
| | 00100382.105 | Cooling unit 220-240V 60 Hz (7-11) | 1 | | | |
| | 00100382.110 | Kuhling unit. 230V 50 Hz | 1 | | | |
| | 00100382.115 | FRIGO 115V/60HZ | 1 | | | |

| POS. | CODE | DESCRIPTION | QTY | START DATE | END DATE | NOTES |
|------|--------------|---|-----|------------|----------|-------|
| 1 | 00100452.001 | | 1 | | | |
| | 00101044.001 | Milk pump unit KS 7 1 pump STANDARD | 1 | | | |
| | 00101045.001 | Milk pump unit KS7 2 pump 230v 50/60HZ LOW FLOW | 1 | | | |
| | 00101046.001 | Milk pump units with 2 pumps (7-11) | 1 | | | |
| | 10705816 | MOD.2 PUMPS MILK KS7 230V 50/60HZ HIGH FLOW | 1 | | | |
| 2 | 00054678 | Diode kompl. to Gotec milk pump | 1 | | | |
| | 34011032 | Milk pump (Gotec ETSG 21) 230 V/50-60 HZ STANDARD | 1 | | | |
| | 34011033 | Milk pump 230 V/50-60 Hz high flow | 1 | | | |
| 3 | 00100743.001 | Air pump | 1 | | | |
| 4 | 00059209 | 2 Way Valve (Magma) 8W 24VDC | 1 | | | |
| 5 | 00060076 | Plug in elbow connection D. 6 mm | 1 | | | |
| 6 | 00054344 | Y-Connection D. 4 mm | 1 | | | |
| 7 | 00060077 | T - Connector D. 6 mm | 1 | | | |
| 8 | 00055974 | Double plug-in nipple D. 4 mm | 1 | | | |
| 9 | 00054344 | Y-Connection D. 4 mm | 1 | | | |
| 10 | 38228072 | Teflon hose FOP D. 4,0 x 2,5 mm | 1 | | | |
| 11 | 00050010.001 | Silicon hose D. 6,0 x 3,0 mm | 1 | | | |
| 13 | 00060131 | Ultrasonic detector | 1 | | | |
| 14 | 00055594 | Raised cheese head ScrewM3 x 25 mm | 1 | | | |
| 15 | 00100428.001 | LAMIERA DI FISSAGGIO | 1 | | | |
| 16 | 00100427.001 | Tube cupling | 1 | | | |
| 17 | 00100038.001 | O-Ring seal D. 8,73 x 1,78mm | 1 | | | |
| 18 | 00043884 | Clutch nipple | 1 | | | |
| 19 | 00049209 | Silicon hose D. 7,0 x 3,0 mm | 1 | | | |
| 20 | 00059249 | Threaded elbow, male D. 4 x G1/8 | 1 | | | |
| 21 | 00055594 | Raised cheese head ScrewM3 x 25 mm | 1 | | | |
| 22 | 00030494 | Lock WasherM3 | 1 | | | |
| 23 | 00048820 | Non-return valve M5 | 1 | | | |
| | 00053943 | Coupling unit (Check valve) | 1 | | | |
| 25 | 00100046.001 | Threaded male connection straight D. 4 mm x M5 | 1 | | | |
| 26 | 00053943 | Coupling unit (Check valve) | 1 | | | |



| POS. | CODE | DESCRIPTION | QTY | START DATE | END DATE | NOTES |
|------|--------------|--|-----|------------|----------|-------|
| 1 | 00054678 | Diode kompl. to Gotec milk pump | 1 | | | |
| | 34011031 | Milk pump (Gotec ETSG 21) 110 V/50-60 HZ USA | 1 | | | |
| | 34011032 | Milk pump (Gotec ETSG 21) 230 V/50-60 HZ STANDARD | 1 | | | |
| 2 | 00059209 | 2 Way Valve (Magma) 8W 24VDC | 1 | | | |
| 3 | 00060131 | Ultrasonic detector | 1 | | | |
| 4 | 00100743.001 | Air pump | 1 | | | |
| 5 | 00059277 | Cable harness X20 | 1 | | | |
| 6 | 00060127 | Cable for Milk sensor 50 Series | 1 | | | |
| | 00060128 | Cable for Milk sensor 70 Series | 1 | | | |
| 7 | 00048714 | Cable harness J46 - X 10A | 1 | | | |
| | 00060131 | Ultrasonic detector | 1 | | | |
| 8 | 00060129 | Wiring set J45 | 1 | | | |
| | 00060130 | Wiring set J45 50 Series | 1 | | | |
| 9 | 00040891 | Flat cable 24 pol.L = 230mm | 1 | | | |
| 10 | 00044846 | Flat cableL = 600mm | 1 | | | |
| 11 | 00100020.050 | Wiring set X5 - J45 | 1 | | | |
| | 00100020.070 | Wiring set X5 - J45 | 1 | | | |
| 12 | 00048853 | Cable harness X10B - K4 - K5 | 1 | | | |
| 13 | 00047916 | Relay 24V DC | 1 | | | |
| 14 | 00100251.001 | | 1 | | | |
| 15 | 00100250.001 | Cable harness X22 to milk pump | 1 | | | |
| 16 | 00100090.001 | Adapter cable sensor | 1 | | | |
| | 00100091.001 | Adapter cable I air pump | 1 | | | |
| | 00100092.001 | Adapter cable Relays | 1 | | | |
| | 00100112.001 | Adapter cable earth | 1 | | | |
| 17 | 00100078.001 | Cable harness KS Cabinet | 1 | | | |
| 18 | 00100608.001 | Wiring set J45 - Y 13 Serie 50 | 1 | | | |
| 19 | 00060288 | Wiring set KS 6 upgrading S. 50 | 1 | | | |
| | 00060289 | Wiring set KS 6 upgrading S. 70 | 1 | | | |
| 20 | 00019388 | Plug 3 ploer F | 1 | | | |
| | 00057047 | Plug 3 ploer M | 1 | | | |
| 21 | 00019389 | Plug 4 ploer M | 1 | | | |
| | 00033154 | Plug 4 ploer F | 1 | | | |
| 22 | 00019393 | Plug 2 ploer M | 1 | | | |
| | 00048774 | Plug 2 ploer F | 1 | | | |

| Code | No. table | Pos. | Code | No. table | Pos. |
|--------------|-----------|------|--------------|-----------|------|
| 00004014 | K11501_01 | 11 | 00100381.001 | K11501_01 | 1 |
| 00004015 | K11501_01 | 12 | 00100381.005 | K11501_01 | 1 |
| 00019388 | K13305_01 | 20 | 00100381.010 | K11501_01 | 1 |
| 00019389 | K13305_01 | 21 | 00100381.020 | K11501_01 | 1 |
| 00019393 | K13305_01 | 22 | 00100381.025 | K11501_01 | 1 |
| 00030494 | K15006_03 | 22 | 00100382.101 | A11501_02 | 15 |
| 00033154 | K13305_01 | 21 | 00100382.105 | A11501_02 | 15 |
| 00040730 | K11501_01 | 3 | 00100382.110 | A11501_02 | 15 |
| 00040891 | K13305_01 | 9 | 00100382.115 | A11501_02 | 15 |
| 00043803 | A11501_02 | 11 | 00100427.001 | K15006_03 | 16 |
| 00043804 | A11501_02 | 11 | 00100428.001 | K15006_03 | 15 |
| 00043884 | K15006_03 | 18 | 00100452.001 | K15006_03 | 1 |
| 00044846 | K13305_01 | 10 | 00100529.001 | A11501_02 | 4 |
| 00046844 | K11501_01 | 9 | 00100529.001 | K11501_01 | 14 |
| 00047916 | A11501_02 | 8 | 00100530.001 | A11501_02 | 4 |
| 00047916 | K13305_01 | 13 | 00100530.001 | K11501_01 | 15 |
| 00048714 | K13305_01 | 7 | 00100531.001 | A11501_02 | 3 |
| 00048774 | K13305_01 | 22 | 00100532.001 | A11501_02 | 3 |
| 00048820 | K15006_03 | 23 | 00100533.001 | A11501_02 | 9 |
| 00048853 | K13305_01 | 12 | 00100534.001 | A11501_02 | 9 |
| 00049209 | K15006_03 | 19 | 00100537.001 | A11501_02 | 12 |
| 00049510 | K11501_01 | 2 | 00100537.001 | A11501_02 | 13 |
| 00050010.001 | K15006_03 | 11 | 00100538.001 | A11501_02 | 12 |
| 00053943 | K15006_03 | 23 | 00100538.001 | A11501_02 | 13 |
| 00053943 | K15006_03 | 26 | 00100539.001 | A11501_02 | 7 |
| 00054344 | K15006_03 | 6 | 00100540.001 | A11501_02 | 10 |
| 00054344 | K15006_03 | 9 | 00100540.001 | K11501_01 | 16 |
| 00054401 | K11501_01 | 4 | 00100542.001 | A11501_02 | 5 |
| 00054448 | K11501_01 | 10 | 00100543.001 | A11501_02 | 5 |
| 00054678 | K13305_01 | 1 | 00100546.001 | A11501_02 | 6 |
| 00054678 | K15006_03 | 2 | 00100547.001 | A11501_02 | 10 |
| 00055594 | K15006_03 | 14 | 00100547.001 | K11501_01 | 17 |
| 00055594 | K15006_03 | 21 | 00100549.001 | A11501_02 | 1 |
| 00055974 | K15006_03 | 8 | 00100608.001 | K13305_01 | 18 |
| 00057047 | K13305_01 | 20 | 00100743.001 | K13305_01 | 4 |
| 00057504 | A11501_02 | 2 | 00100743.001 | K15006_03 | 3 |
| 00059209 | K13305_01 | 2 | 00100951.001 | A11501_02 | 11 |
| 00059209 | K15006_03 | 4 | 00100951.002 | A11501_02 | 11 |
| 00059212 | A11501_02 | 2 | 00100951.004 | A11501_02 | 11 |
| 00059212A | A11501_02 | 2 | 00100951.005 | A11501_02 | 11 |
| 00059249 | K15006_03 | 20 | 00101039.001 | A11501_02 | 1 |
| 00059277 | K13305_01 | 5 | 00101044.001 | K15006_03 | 1 |
| 00060076 | K15006_03 | 5 | 00101045.001 | K15006_03 | 1 |
| 00060077 | K15006_03 | 7 | 00101046.001 | K15006_03 | 1 |
| 00060082 | K11501_01 | 7 | 10705816 | K15006_03 | 1 |
| 00060127 | K13305_01 | 6 | 34011031 | K13305_01 | 1 |
| 00060128 | K13305_01 | 6 | 34011032 | K13305_01 | 1 |
| 00060129 | K13305_01 | 8 | 34011032 | K15006_03 | 2 |
| 00060130 | K13305_01 | 8 | 34011033 | K15006_03 | 2 |
| 00060131 | K13305_01 | 3 | 36901951 | K11501_01 | 6 |
| 00060131 | K13305_01 | 7 | 38228072 | K15006_03 | 10 |
| 00060131 | K15006_03 | 13 | 45010209 | A11501_02 | 14 |
| 00060288 | K13305_01 | 19 | 45010209 | K11501_01 | 13 |
| 00060289 | K13305_01 | 19 | | | |
| 00100020.050 | K13305_01 | 11 | | | |
| 00100020.070 | K13305_01 | 11 | | | |
| 00100038.001 | K15006_03 | 17 | | | |
| 00100046.001 | K15006_03 | 25 | | | |
| 00100078.001 | K13305_01 | 17 | | | |
| 00100090.001 | K13305_01 | 16 | | | |
| 00100091.001 | K13305_01 | 16 | | | |
| 00100092.001 | K13305_01 | 16 | | | |
| 00100112.001 | K13305_01 | 16 | | | |
| 00100127.001 | K11501_01 | 5 | | | |
| 00100250.001 | K13305_01 | 15 | | | |
| 00100251.001 | K13305_01 | 14 | | | |
| 00100259.001 | A11501_02 | 11 | | | |

Contacts

HEADQUARTERS, PRODUCTION PLANT AND R&D CENTERS

Rancilio Group s.p.a.
Viale della Repubblica 40
20010 Villastanza di Parabiago
Milano Italy
Tel +39 0331 408200
Fax +39 0331 551437
www.ranciliogroup.com
info@ranciliogroup.com

Egro Suisse AG
Bahnhofstrasse 66
5605 Dottikon, Switzerland
Tel. +41 (0)56 616 95 95
Fax +41 (0)56 616 95 97
www.egrocoffee.com
info@egrocoffee.com

WORLDWIDE BRANCH LOCATIONS

SPAIN
RancilioGroup Espana, s.a.
Gran Via de Carlos III, 84 3ª
Edificio Trade
08028 Barcelona Spain
Ph. +34 902 884 275
Ph. +34 934 923 414
Fax +34 93 496 57 01
www.ranciliogroup.com
info-es@ranciliogroup.com

SWITZERLAND
Egro Suisse AG
Bahnhofstrasse 66
5605 Dottikon, Switzerland
Tel. +41 (0)56 616 95 95
Fax +41 (0)56 616 95 97
www.egrosuisse.ch
info@egrosuisse.ch

PORTUGAL
Rancilio Group Portugal Lda
Estrada da Falagueira nº 68 E
2700-365 Amadora-Lisboa Portugal
Ph. + 351 21 019 10 91
Fax + 351 21 019 10 91
www.ranciliogroup.com
info-pt@ranciliogroup.com

GERMANY
Rancilio Group Deutschland GmbH
Talstrasse 27
D-97990 Weikersheim
Ph. +49 7934 99 29 30
Fax +49 7934 99 29 330
www.egro-deutschland.de
info-de@ranciliogroup.com

USA/CANADA
RancilioGroup North America Inc.
1340 Internationale Parway / Suite 200
Woodridge, IL 60517 USA
Ph: +1 630 914-7900
Fax: +1 630 914 7901
Toll Free: +1 877 726 2454
www.ranciliogroup.com
info@ranciliogroupna.com

SALES REPRESENTATIVE OFFICE

ASIA
Asian Market Access HK Ltd
601 Tak Woo House
17-19 D'aguilar Street Central
Hong Kong
Ph. +852 2521 7839
Fax +852 2521 5787
www.ranciliogroup.com

